



GE Capacitors

By REGAL-BELOIT

CPD 511

03 / 07



A-C Capacitors for HID Lighting Applications



Capacitor Application Data Sheet

To ensure correct selection of a capacitor for your application, please provide the information indicated below. This sheet may be duplicated or additional copies may be obtained from RBC.

Of particular importance are the voltages and current waveforms complete with values of voltage and current over a complete cycle.

Send this data to your local RBC Sales Representative or directly to:

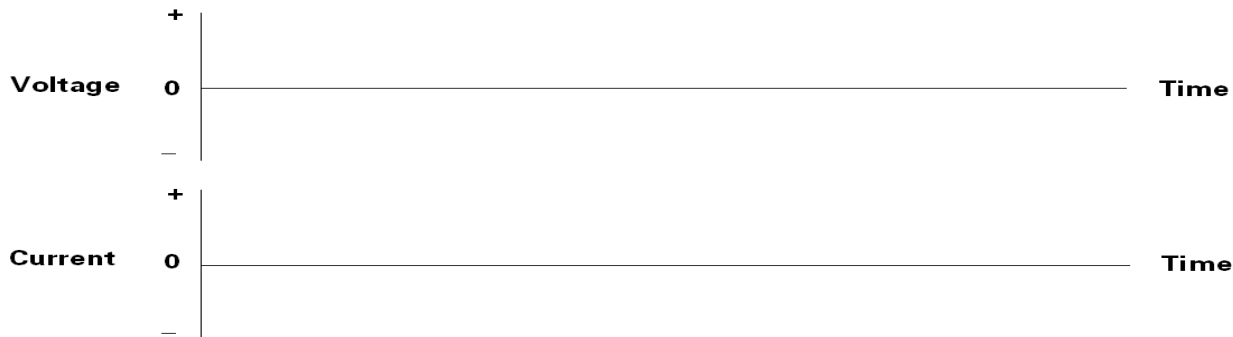
GE Capacitors by Regal Beloit
11970 PELLICANO DR., SUITE 300
EL PASO, TEXAS 79936
USA

Fax: (915) 849-5799

PRIMARY INFORMATION (Essential)

1. **Application:** _____
2. **Capacitance:** _____ **Tolerance:** _____
3. **Peak Voltage:** _____ **RMS Voltage:** _____
4. **Peak Current:** _____ **RMS Current:** _____
5. **Transient Voltage:** _____ **Duration:** _____ **Freq. Of Occurrence:** _____
6. **Frequency or Repetition Rate (Hz):** _____ **Duty Cycle:** _____
7. **Ambient Temperature:** _____ **Max.:** _____ **Min.:** _____
8. **Capacitor Charge Time:** _____ **Discharge Time:** _____
9. **Required Operating Life (Hours):** _____

10. Waveforms:



SECONDARY INFORMATION (Provide as Appropriate)

11. **Physical Size Limitations:** _____
12. **Mounting Requirements:** _____
13. **Applicable Specifications:** _____
14. **Type of cooling Available:** _____
15. **Unusual Atmospheric Conditions:** _____
16. **Other special Requirements:** _____
17. **Number of samples Required:** _____
18. **Potential Usage:** _____



Table of Contents

| | |
|---|-----------|
| Descriptive Information | 1 |
| Product Safety | 3 |
| HID Lighting Capacitors-Gem III (Single Section) | 4 |
| HID Lighting Capacitors -Gem III (Dual Section) | 8 |
| Application Data | 9 |
| Outline | 11 |
| HID Lighting Capacitors 100 °C Max -Gem III | 12 |
| Mounting Hardware | 13 |

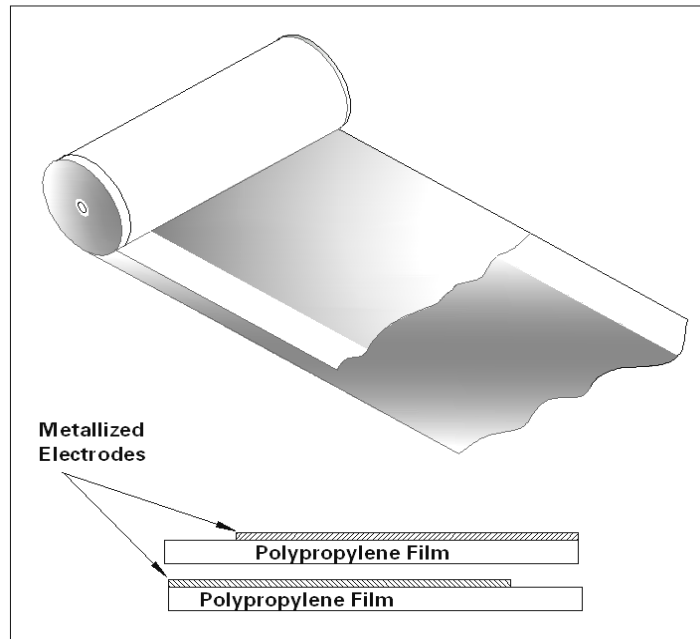
Descriptive Information

RBC Capacitors for HID Lighting Purpose Applications

Metallized film capacitors are unsurpassed in terms of size, weight, performance, and reliability for AC applications. RBC - Capcom brings over 60 years of capacitor manufacturing experience to the product lines described in this publication. These capacitors represent the best in product design for long-term reliability and safe operation. RBC's materials, product, and process development work continue to provide capacitor users with outstanding total value.

The Gem III HID Lighting Capacitors are designed specifically for HID Lighting applications where the capacitors are used as part of the ballast circuit for mercury vapor, metal halide, and high-pressure sodium lamps. The units are designed to operate at temperatures up to 90°C, which is the normal requirement for HID ballast capacitors. Due to advances in material technology and breakthroughs in proprietary capacitor manufacturing processes, selected ratings are now available for operation up to 100°C for 60,000 hours.

GEM III Construction



RBC 's Gem III capacitors are manufactured with high-grade metallized polypropylene film. This film is in the range of 5 to 10 microns thick, depending on the application voltage and conditions. The metallized electrode is several hundred angstroms thick.

The film is wound into capacitor rolls on high-speed, high-precision machines. The winding is extremely tight so that there is not enough space between the layers for corona (localized partial electrical discharges) to occur. The rolls are sprayed on both ends with metal to make connection to the extremely thin edges of the metallized electrodes. This process is critical to the quality and performance of the capacitors.

The rolls are assembled in metal cases, RBC's proprietary Dielektrol VI liquid is introduced under vacuum, and the capacitors are sealed. They are then subjected to 100% electrical testing for capacitance, dissipation factor, and high potential electrical withstand, both terminal-to-terminal and terminal-to-case.

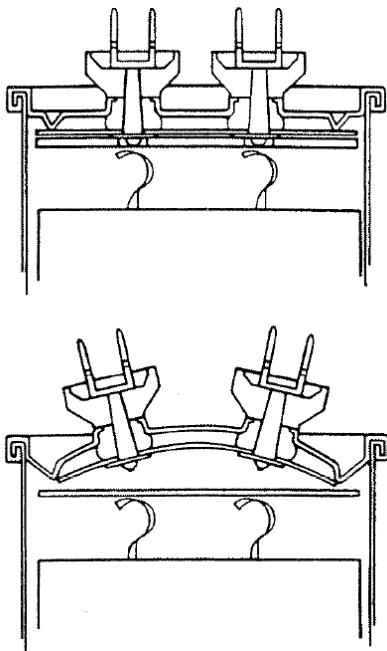
Pressure Sensitive Interrupter

All the capacitors listed in this publication contain RBC's Pressure Sensitive Interrupter (PSI). This device, developed by RBC, is designed to sense the build-up of pressure within the capacitor if a fault occurs and to interrupt the internal electrical connections before the case can rupture.

The PSI carries U.L. * recognition for applications where the specified fault currents are not exceeded. The fault current is the maximum current that is available from the circuit to flow through the capacitor if the capacitor were to become a short circuit with zero impedance. **It is the responsibility of the capacitor user to determine what the available fault current is for a particular application.**

In the Catalog Number listings a four character U.L. Code, Pxxx, is given. This number is part of the listing for RBC in U.L. File No. E7793. When applying to U.L. for approvals or recognition of equipment using these capacitors refer to the Pxxx number and not the Catalog Number of the capacitor in question.

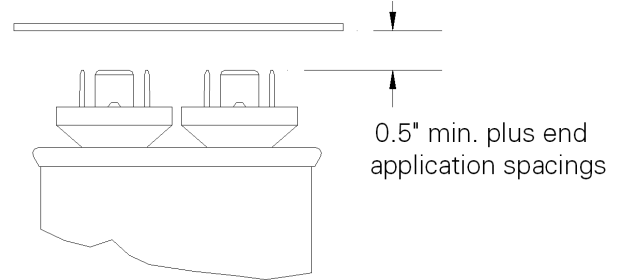
Proper operation of the PSI requires that the cover be able to expand without restriction. The following mounting considerations should be noted in mounting these capacitors.



*Underwriter's Laboratories

Vertical Clearance

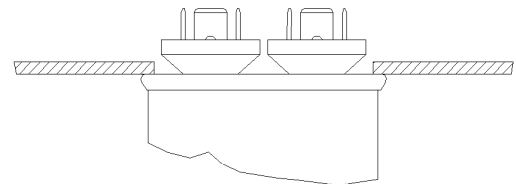
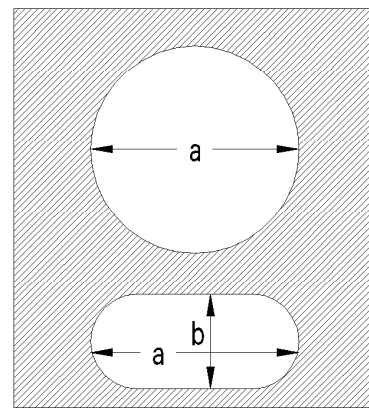
There must be sufficient clearance between the tops of the terminals (and/or the assembled wire connectors) and a plane perpendicular to the capacitor terminals. This clearance must be at least 0.5 inches plus the electrical spacing requirements of the end application.



Cut-Out Clearance

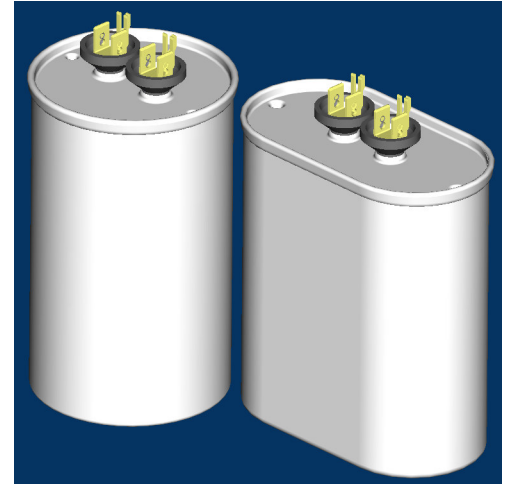
In certain instances capacitors are mounted with the top of the capacitor case resting against the chassis and the terminals protruding through the chassis. Care must be taken to see that the cutout in the chassis is large enough. The following dimensions are recommended.

| Case Style | a | b | Case Style | a |
|------------|------|------|------------|------|
| A | 2.00 | 1.00 | P | 1.62 |
| B | 2.25 | 1.25 | S | 1.88 |
| C | 2.50 | 1.62 | T | 2.38 |
| D | 3.25 | 1.62 | | |



280, 330, 400, 480, 540 and 580 Volts AC

This capacitor series is designed specifically for HID Lighting applications where the capacitors are used as part of the ballast circuit for mercury vapor, metal halide, and high-pressure sodium lamps. The units are designed to operate at up to 90 °C which is the normal requirement for HID ballast capacitors. Due to advances in material technology and breakthroughs in proprietary capacitor manufacturing processes, selected ratings are now available for operation up to 100°C for 60,000 hrs.



SPECIFICATIONS:

| | |
|--|---|
| Available Capacitance Range: | 5 to 60 μ F |
| Capacitance Tolerance: | \pm 3% |
| Capacitance Variation with Temperature: | See chart L-3 on page 9. |
| Rated Voltage: | See Rating Tables. |
| Leakage Current: | 30 μ A maximum |
| Frequency: | 50/60 Hz. |
| Operating Temperature: | -40 °C to +90 °C and up to 100 °C MAX on selected ratings (See page 12) |
| Storage Temperature: | -40 °C to +90 °C |
| Operating Life: | 60,000 hours with 90% survival |
| Dissipation Factor: | 0.1% maximum |
| Case Material/Finish: | Unpainted Aluminum case, Ternplate steel cover. |
| Terminations: | 'Combo' terminal: 0.250" x 0.031" quick connect blades plus a solderable fork on each terminal. |
| Dielectric Fluid: | Dielektrol VI |
| Internal Protection: | UL recognized Pressure Sensitive Interrupter. The UL code Numbers in the Ratings Table are the numbers listed under RBC's UL File E7793 (N). When including these capacitors in a UL submittals use this RBC 'Pxxx' number not the Catalog Number. The generic UL designations corresponding to the RBC numbers are given below. This number includes the Available Faults Current (AFC) rating. All these capacitors are capable of interrupting available fault currents of up to 10,000 amperes. |

*STANDARD RATINGS

| 280 VOLTS AC | | | | |
|-------------------|----------------|------------|----------------|---------|
| Capacitance (µF) | Catalog Number | Case Style | Height C (in.) | UL Code |
| OVAL Case | | | | |
| 6 | 97F6801 | A | 2.12 | P921 |
| 8 | 97F6857 | A | 2.88 | P921 |
| 10 | 97F6858 | A | 2.88 | P921 |
| 10 | 97F6805 | B | 2.12 | P922 |
| 12 | 97F6871 | A | 3.88 | P921 |
| | | | | |
| 15 | 97F6860 | B | 2.88 | P922 |
| 17.5 | 97F6812 | B | 2.88 | P922 |
| 20 | 97F6861 | B | 3.88 | P922 |
| 20 | 97F6862 | C | 2.88 | P923 |
| 22.5 | 97F6855 | B | 3.88 | P922 |
| | | | | |
| 24 | 97F6873 | B | 3.88 | P922 |
| 24 | 97F6864 | C | 2.88 | P923 |
| 26 | 97F6868 | B | 2.88 | P922 |
| 28 | 97F6824 | B | 3.88 | P922 |
| 28 | 97F6823 | C | 2.88 | P923 |
| | | | | |
| 29 | 97F6846 | B | 3.88 | P922 |
| 34 | 97F6854 | B | 3.88 | P922 |
| 35 | 97F6865 | C | 3.88 | P923 |
| 40 | 97F6866 | C | 3.88 | P923 |
| | | | | |
| 42 | 97F6869 | B | 3.88 | P922 |
| 45 | 97F6850 | C | 3.88 | P923 |
| 48 | 97F6836 | C | 3.88 | P923 |
| 48 | 97F6872 | D | 2.88 | P924 |
| 52 | 97F6867 | D | 3.88 | P924 |
| ROUND Case | | | | |
| 22.5 | 97F6516 | P | 2.88 | P965 |
| 24 | 97F6522 | P | 2.88 | P965 |
| 30 | 97F6533 | P | 3.88 | P965 |
| 35 | 97F6538 | P | 3.88 | P965 |
| 38 | 97F6509 | P | 3.88 | P965 |
| | | | | |
| 40 | 97F6530 | P | 3.88 | P965 |
| 45 | 97F6540 | S | 3.88 | P968 |
| 48 | 97F6541 | S | 3.88 | P968 |

| 330 VOLTS AC | | | | |
|-------------------|----------------|------------|----------------|---------|
| Capacitance (µF) | Catalog Number | Case Style | Height C (in.) | UL Code |
| OVAL Case | | | | |
| 2.5 | 97F6788 | A | 2.12 | P921 |
| 5 | 97F6764 | A | 2.88 | P921 |
| 6 | 97F6765 | A | 2.88 | P921 |
| 7 | 97F6766 | A | 2.88 | P921 |
| 8 | 97F6703 | A | 2.88 | P921 |
| 10 | 97F6763 | A | 3.88 | P921 |
| | | | | |
| 10 | 97F6767 | B | 2.88 | P922 |
| 11 | 97F6762 | B | 2.88 | P922 |
| 12 | 97F6746 | A | 3.88 | P921 |
| 12 | 97F6760 | B | 2.88 | P922 |
| 13 | 97F6708 | B | 2.88 | P922 |
| | | | | |
| 13.5 | 97F6749 | B | 2.88 | P922 |
| 14 | 97F6768 | B | 2.88 | P922 |
| 15 | 97F6758 | B | 3.88 | P922 |
| 16 | 97F6769 | B | 3.88 | P922 |
| 17.5 | 97F6761 | B | 3.88 | P922 |
| | | | | |
| 17.5 | 97F6770 | C | 2.88 | P923 |
| 18 | 97F6771 | B | 3.88 | P922 |
| 18 | 97F6779 | C | 2.88 | P923 |
| 19 | 97F6715 | B | 3.88 | P922 |
| 20 | 97F6716 | B | 3.88 | P922 |
| | | | | |
| 21 | 97F6745 | B | 3.88 | P922 |
| 22.5 | 97F6773 | C | 3.88 | P923 |
| 24 | 97F6759 | B | 3.88 | P922 |
| 24 | 97F6774 | C | 3.88 | P923 |
| 26 | 97F6755 | B | 3.88 | P922 |
| | | | | |
| 28 | 97F6776 | C | 3.88 | P923 |
| 29 | 97F6780 | C | 3.88 | P923 |
| 30 | 97F6726 | C | 3.88 | P923 |
| 32 | 97F6727 | C | 3.88 | P923 |
| 34 | 97F6757 | C | 3.88 | P923 |
| | | | | |
| 36 | 97F6784 | C | 3.88 | P923 |
| 45 | 97F6778 | D | 3.88 | P924 |
| ROUND Case | | | | |
| 7 | 97F6531 | P | 2.88 | P965 |
| 8 | 97F6518 | P | 2.88 | P965 |
| 10 | 97F6515 | P | 2.88 | P965 |
| 14 | 97F6506 | P | 2.88 | P965 |
| 15 | 97F6504 | P | 2.88 | P965 |
| 16 | 97F6519 | P | 2.88 | P965 |
| 17.5 | 97F6505 | P | 2.88 | P965 |
| 24 | 97F6537 | P | 3.88 | P965 |
| 28 | 97F6521 | P | 3.88 | P965 |

* It is RBC's goal to serve you with the most cost effective and the highest quality capacitor designs. Standardization to the catalog type shown is a major program at RBC. However, RBC remains sensitive to your needs and requirements, and will continue to offer the above ratings (and more) in case configurations to meet your application (s).



| 400 VOLTS AC | | | | |
|-------------------|----------------|------------|---------------|---------|
| Capacitance (μF) | Catalog Number | Case Style | Height C(in.) | UL Code |
| OVAL Case | | | | |
| 7.5 | 97F6656 | A | 3.88 | P921 |
| 10 | 97F6601 | A | 3.88 | P921 |
| 10 | 97F6606 | B | 2.88 | P922 |
| 12 | 97F6659 | B | 3.88 | P922 |
| 12 | 97F6660 | C | 2.88 | P923 |
| 13 | 97F6698 | B | 3.88 | P922 |
| 14 | 97F6661 | C | 2.88 | P923 |
| 15 | 97F6602 | B | 3.88 | P922 |
| 15 | 97F6621 | C | 2.88 | P923 |
| 18 | 97F6658 | C | 2.88 | P923 |
| 24 | 97F6622 | C | 3.88 | P923 |
| 24 | 97F6623 | D | 2.88 | P924 |
| 26 | 97F6926 | B | 3.88 | P922 |
| ROUND Case | | | | |
| 10 | 97F6526 | P | 2.88 | P965 |
| 14 | 97F6539 | P | 2.88 | P965 |
| 15 | 97F6517 | P | 2.88 | P965 |
| 24 | 97F6535 | P | 3.88 | P965 |
| 26 | 27L709 | S | 3.88 | P968 |

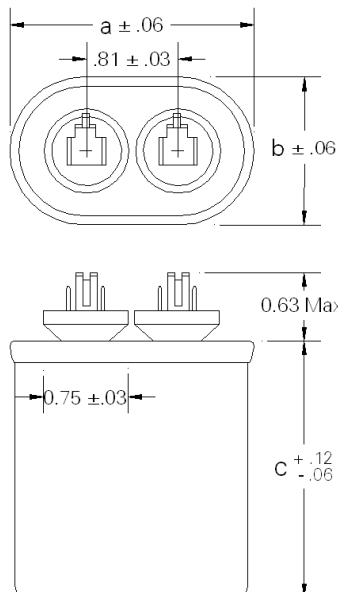
| 480 VOLTS AC | | | | |
|------------------|----------------|------------|---------------|---------|
| Capacitance (μF) | Catalog Number | Case Style | Height C(in.) | UL Code |
| OVAL Case | | | | |
| 3 | 97F6676 | A | 2.88 | P921 |
| 4 | 97F6677 | A | 2.88 | P921 |
| 4.5 | 97F6678 | A | 2.88 | P921 |
| 5 | 97F6681 | A | 2.88 | P921 |
| 6.5 | 97F6695 | A | 3.88 | P921 |
| 8.5 | 97F6692 | B | 2.88 | P922 |
| 10 | 97F6907 | B | 3.88 | P922 |
| 12 | 97F6674 | B | 3.88 | P922 |
| 14 | 97F6673 | B | 3.88 | P922 |
| 15 | 97F6685 | B | 3.88 | P922 |
| 16 | 97F6675 | C | 3.88 | P923 |
| 20 | 97F6694 | C | 3.88 | P923 |
| 21 | 97F6683 | C | 3.88 | P923 |
| 24 | 97F6680 | C | 3.88 | P923 |
| 24 | 97F6679 | D | 2.88 | P924 |
| 28 | 97F6918 | C | 4.75 | P923 |

CASE STYLES P and S

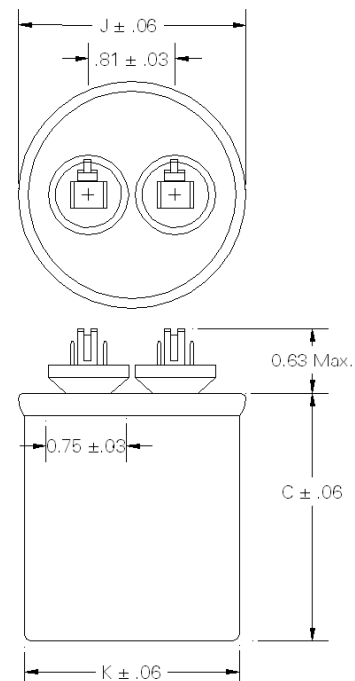
| Case Style | K | J |
|------------|------|------|
| P | 1.75 | 1.88 |
| S | 2.00 | 2.12 |

CASE STYLES A, B, C and D

| Case Style | a | b |
|------------|------|------|
| A | 2.16 | 1.31 |
| B | 2.69 | 1.56 |
| C | 2.91 | 1.91 |
| D | 3.66 | 1.97 |



(2). 250 x .031 Blades & fork per terminal

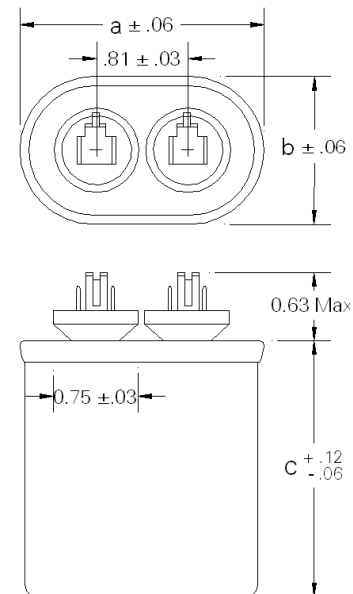


*STANDARD RATINGS

| 540 VOLTS AC | | | | |
|------------------|----------------|------------|---------------|---------|
| Capacitance (μF) | Catalog Number | Case Style | Height C(in.) | UL Code |
| OVAL Case | | | | |
| 7.5 | 27L176 | B | 2.88 | P962 |
| 10.5 | 97F6935 | C | 2.88 | P963 |
| 13 | 97F6924 | B | 3.88 | P962 |
| 16 | 97F6919 | C | 3.88 | P963 |
| 16 | 97F6920 | B | 3.88 | P962 |
| 18 | 97F6933 | C | 3.88 | P963 |
| 22.5 | 97F6951 | C | 4.75 | P963 |
| 22.5 | 97F6956 | D | 3.88 | P964 |
| 26 | 97F6921 | C | 4.75 | P963 |
| 26 | 97F6934 | D | 3.88 | P964 |
| 32 | 97F6923 | D | 3.88 | P964 |
| 35 | 97F6940 | D | 4.75 | P964 |
| 36 | 97F6952 | D | 4.75 | P964 |

| 580 VOLTS AC | | | | |
|------------------|----------------|------------|---------------|---------|
| Capacitance (μF) | Catalog Number | Case Style | Height C(in.) | UL Code |
| OVAL Case | | | | |
| 8 | 27L791 | B | 3.88 | P962 |
| 10 | 97F6930 | B | 3.88 | P962 |
| 14.5 | 97F6948 | B | 3.88 | P962 |
| 20 | 97F6931 | C | 4.75 | P963 |
| 21 | 97F6946 | C | 4.75 | P963 |
| 24 | 97F6945 | C | 4.75 | P963 |
| 26 | 97F6921 | C | 4.75 | P963 |

CASE STYLES A, B, C and D



* It is RBC's goal to serve you with the most cost effective and the highest quality capacitor designs. Standardization to the catalog type shown is a major program at RBC. However, RBC remains sensitive to your needs and requirements, and will continue to offer the above ratings (and more) in case configurations to meet your application (s).

| Case Style | a | b |
|------------|------|------|
| A | 2.16 | 1.31 |
| B | 2.69 | 1.56 |
| C | 2.91 | 1.91 |
| D | 3.66 | 1.97 |

DUAL SECTION

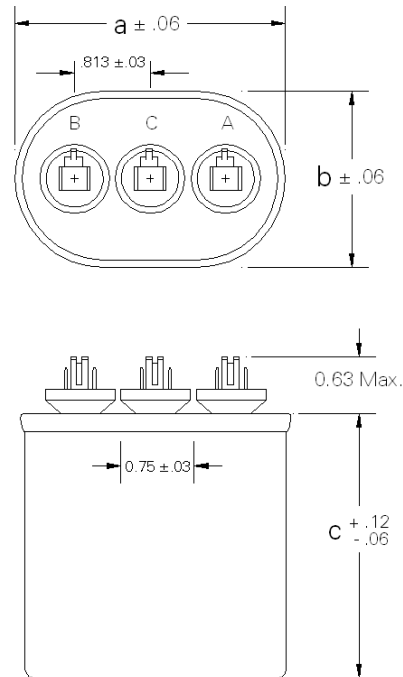
RBC offers a variety of dual section HID Lighting capacitors.

Voltage Rating: 280 thru 580 VAC

All other specifications are the same as Single section HID product offerings.

Various capacitance combinations are available ; limited by case base sizes.

CONTACT LOCAL SALES REPRESENTATIVE OR FACTORY FOR SPECIFIC REQUIREMENTS.



MAIN SECTION: C to A
AUXILIARY SECTION: B to C

| Case Style | a | b |
|------------|------|------|
| C | 2.91 | 1.91 |
| D | 3.66 | 1.97 |

**Life
Vs
Temperature**

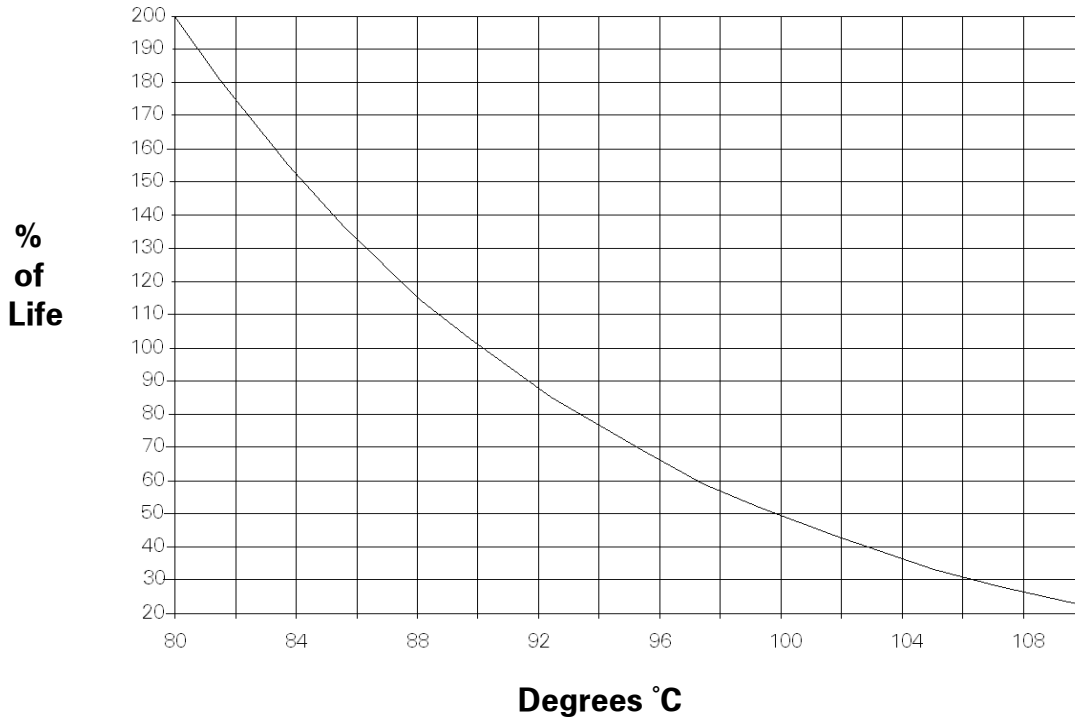


Chart L-1

**Life
Vs
Voltage**

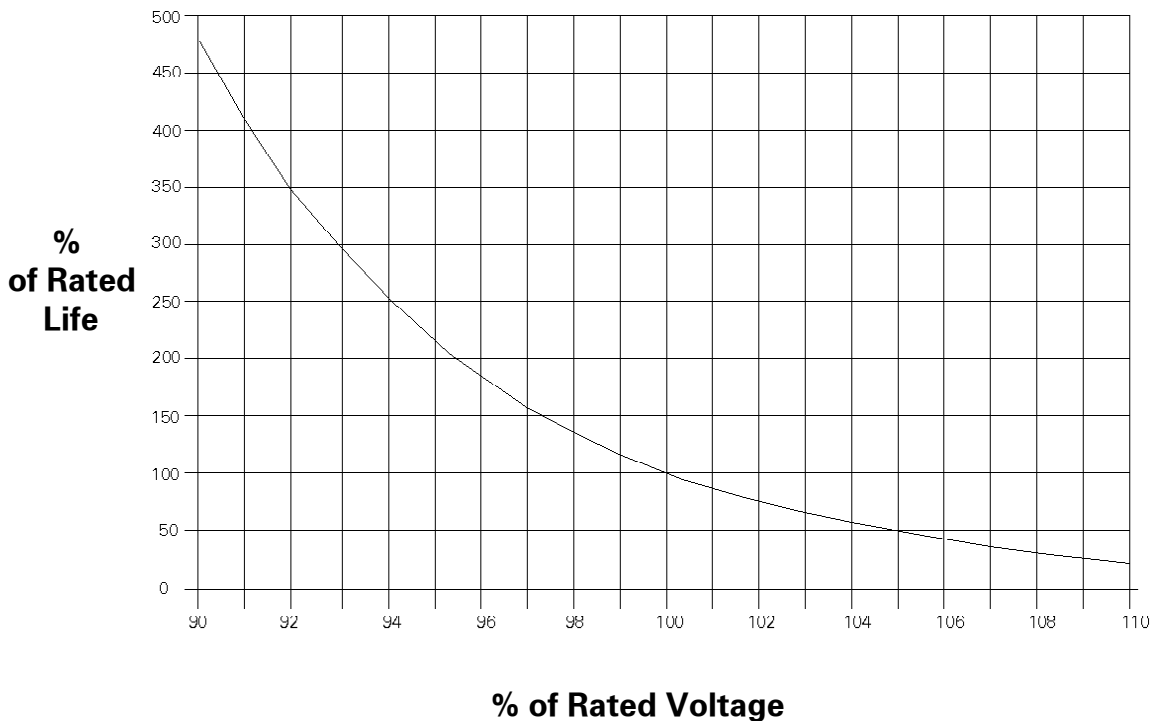
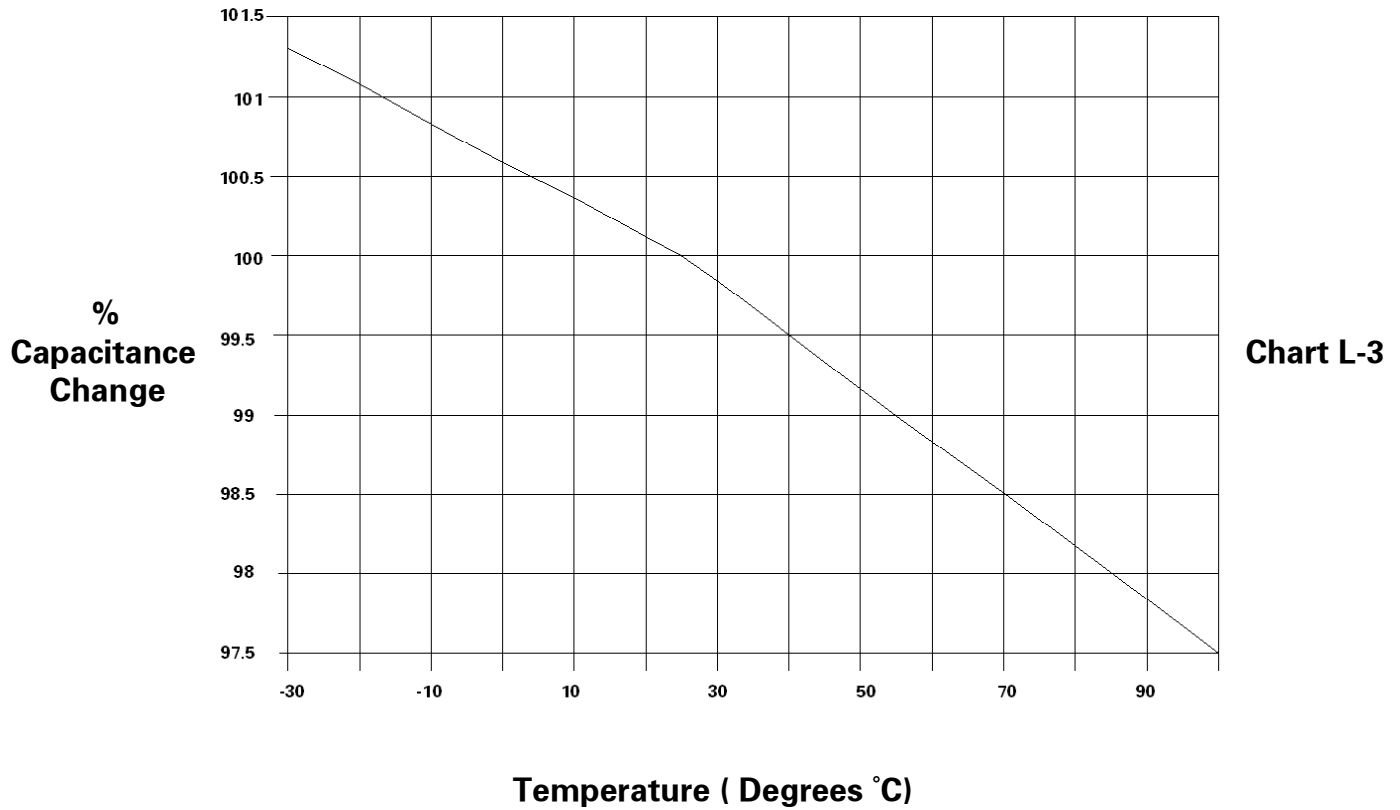
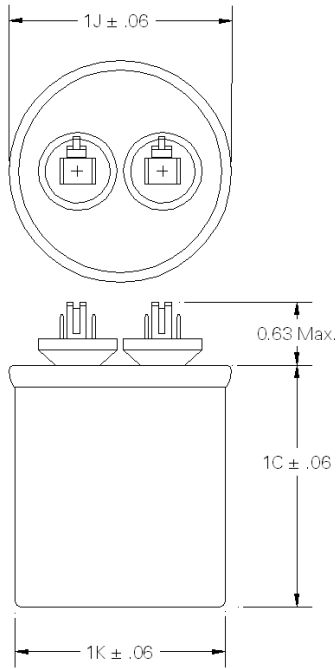


Chart L-2

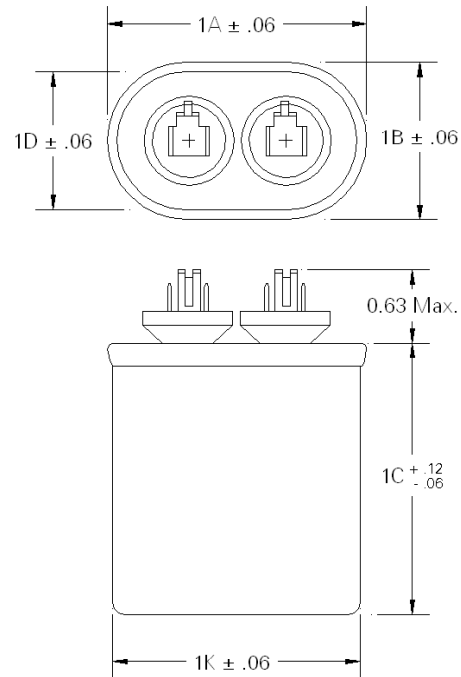
Percent Capacitance Vs Temperature



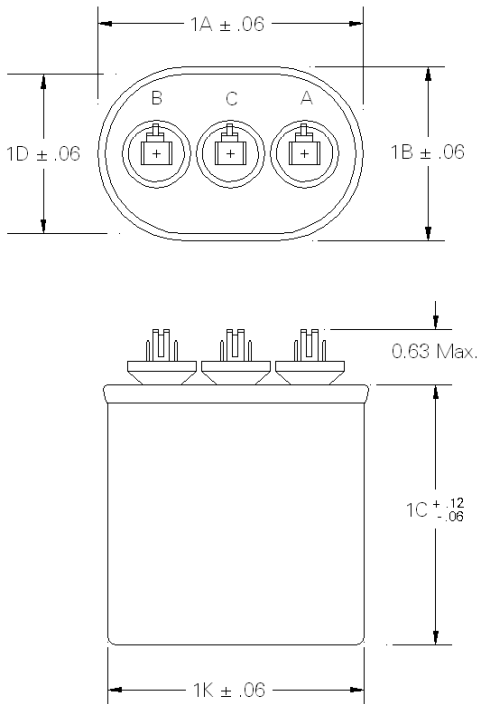
Round Case Style (P,S,T)



Oval Case Style (A,B,C,D)



Dual Oval Case Style

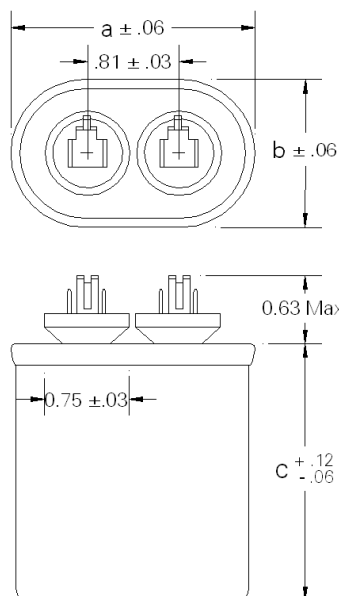


| Oval Case Style | | Dimensions | | | |
|------------------|-----------|------------|------|------|------|
| | | 1A | 1B | 1D | 1K |
| A | Oval | 2.16 | 1.31 | 1.21 | 2.06 |
| B | Oval | 2.69 | 1.56 | 1.47 | 2.58 |
| C | Oval | 2.91 | 1.91 | 1.81 | 2.81 |
| D | Oval | 3.66 | 1.97 | 1.88 | 3.56 |
| C | Dual Oval | 2.91 | 1.91 | 1.81 | 2.81 |
| Round Case Style | | Dimensions | | | |
| | | 1K | | | 1J |
| P | Round | 1.75 | — | — | 1.88 |
| S | Round | 2.00 | — | — | 2.12 |
| T | Round | 2.50 | — | — | 2.62 |

Single Ratings

| Capacitance (μF) | Catalog Number | Case Style | Height C (in.) | UL Code |
|---------------------|----------------|------------|----------------|---------|
| 280 VOLTS AC | | | | |
| 48 | 27L7000 | C | 3.88 | P923 |
| 330 VOLTS AC | | | | |
| 14 | 27L7002 | A | 3.12 | P921 |
| 26 | 27L7003 | C | 2.88 | P923 |
| 360 VOLTS AC | | | | |
| 24 | 27L7004 | C | 3.12 | P923 |
| 400 VOLTS AC | | | | |
| 10 | 27L7001 | C | 2.88 | P922 |
| 24 | 27L7009 | C | 3.12 | P923 |

Oval Case Style (A,B,C,D)



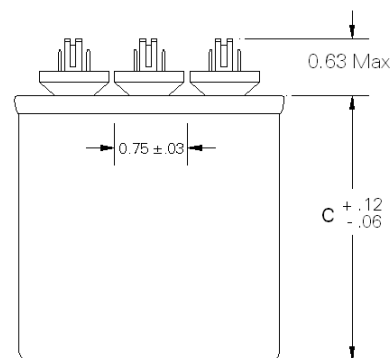
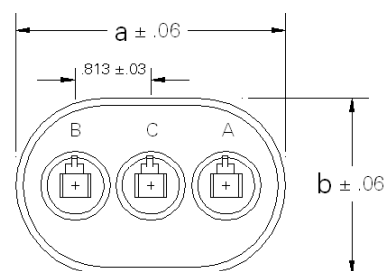
| Case Style | a | b |
|------------|------|------|
| A | 2.16 | 1.31 |
| C | 2.91 | 1.91 |

* It is RBC's goal to serve you with the most cost effective and the highest quality capacitor designs. Standardization to the catalog type shown is a major program at RBC.

However, RBC remains sensitive to your needs and requirements, and will continue to offer the above ratings (and more) in case configurations to meet your application (s).

Dual Ratings

| Capacitance | | Catalog Number | Case Style | Height C (in.) | UL Code |
|---------------------|-------------|----------------|------------|----------------|---------|
| (μF) (Main) | (μF) (Aux.) | | | | |
| 280 VOLTS AC | | | | | |
| 36 | 12 | 27L7005 | C | 3.88 | P923 |
| 330 VOLTS AC | | | | | |
| 11 | 6 | 27L7008 | C | 3.88 | P923 |
| 18 | 8 | 27L7007 | C | 2.88 | P923 |



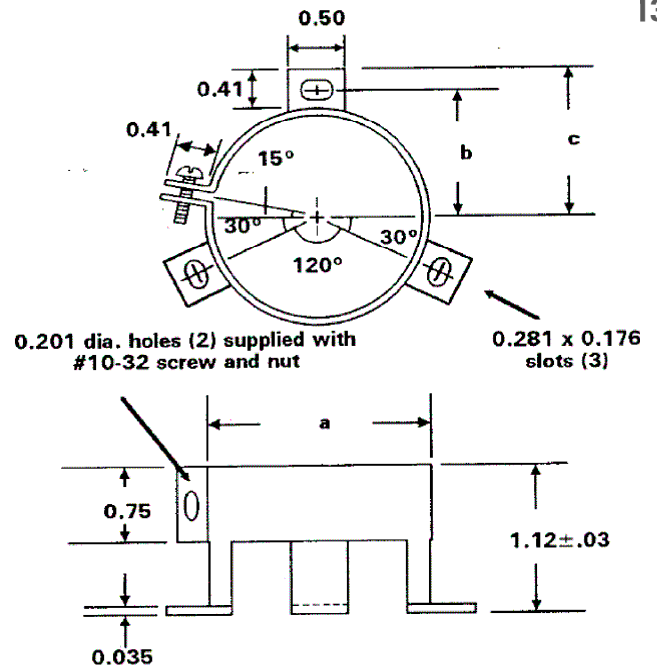
MAIN SECTION: C to A
AUXILIARY SECTION: B to C

| Case Style | a | b |
|------------|------|------|
| C | 2.91 | 1.91 |
| D | 3.66 | 1.97 |

UNIVERSAL WRAP AROUND BRACKETS

ROUND CASE STYLES

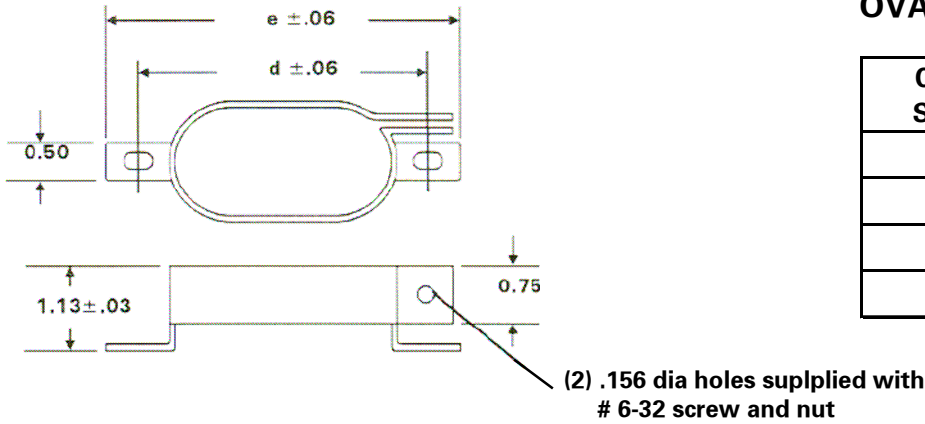
| Case Style | Bracket Part Number | a | b | c |
|------------|---------------------|------|------|------|
| P | 295A6016P31 | 1.75 | 1.12 | 1.31 |
| S | 295A6016P32 | 2.00 | 1.25 | 1.44 |
| T | 295A6016P33 | 2.50 | 1.50 | 1.69 |



UNIVERSAL WRAP AROUND BRACKETS

OVAL CASE STYLES

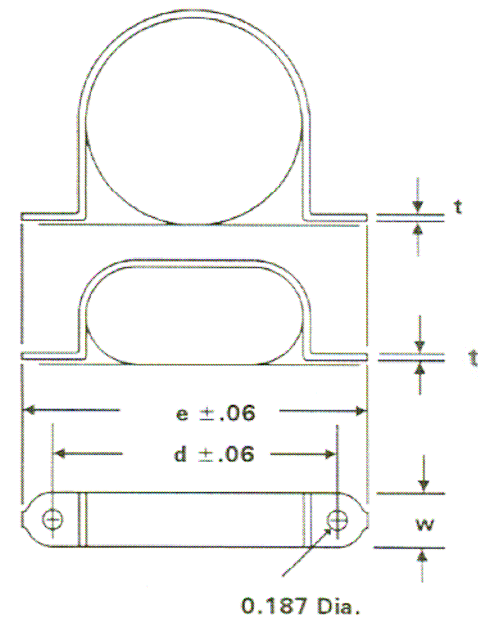
| Case Style | Bracket Part Number | d | e |
|------------|---------------------|------|------|
| A | 128A2244ACP21 | 2.69 | 3.13 |
| B | 128A2244ABP25 | 3.27 | 3.70 |
| C | 128A2244ABP22 | 3.44 | 3.88 |
| D | 128A2244ABP23 | 4.19 | 4.63 |



WRAP AROUND BRACKETS

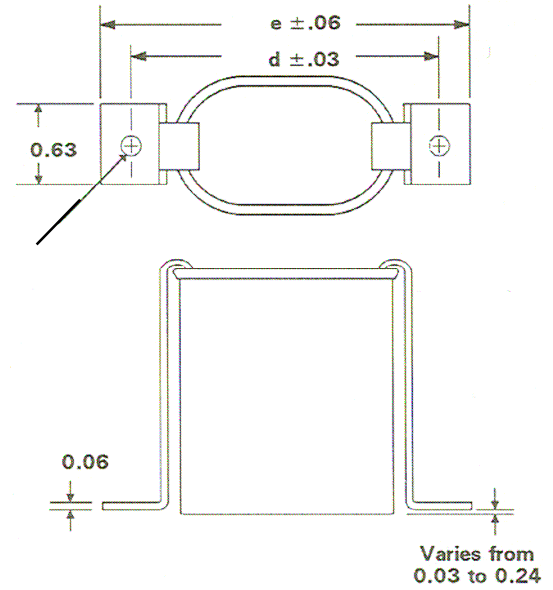
ROUND AND OVAL CASE STYLES

| Case Style | Bracket Part Number | d | e | w | t |
|------------|---------------------|------|------|------|------|
| A | K9827065P21 | 2.56 | 2.94 | 0.50 | 0.02 |
| B | K9827065P31 | 3.06 | 3.50 | 0.63 | 0.02 |
| C | 614A301P61 | 3.31 | 3.81 | 0.75 | 0.03 |
| D | 614A301P51 | 4.06 | 4.56 | 0.75 | 0.03 |
| P | 279A7235P24 | 2.50 | 2.88 | 0.75 | 0.04 |
| S | 279A7235P22 | 2.75 | 3.12 | 0.75 | 0.04 |
| T | 279A7235P23 | 3.25 | 3.62 | 0.75 | 0.04 |



FOOTED BRACKETS

| Case Height | Bracket Part Number | Case Style | d | e |
|-------------|---------------------|------------|------|------|
| 2.12 | 302C920P210 | A | 2.56 | 3.00 |
| 2.88 | 302C920P113 | B | 3.13 | 3.56 |
| 3.88 | 302C920P115 | C | 3.38 | 3.81 |
| 4.75 | 302C920P116 | D | 4.13 | 4.56 |
| 5.75 | 302C920P209 | P | 2.33 | 2.76 |
| | | S | 2.57 | 3.00 |
| | | T | 3.07 | 3.50 |

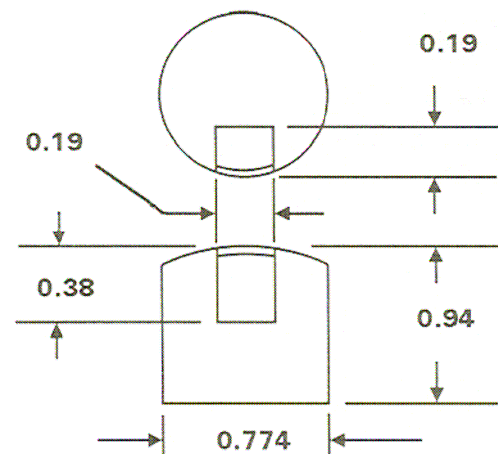
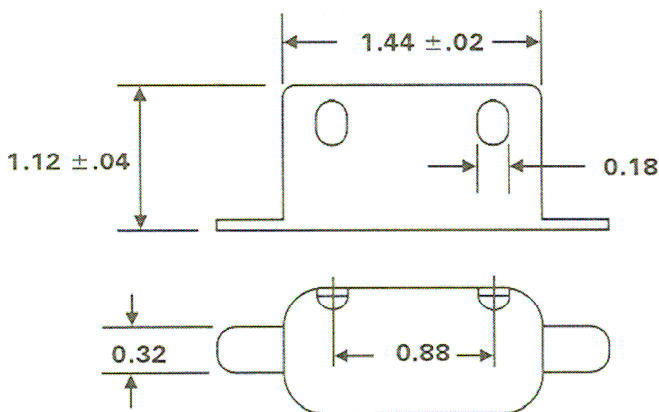


PROTECTIVE BOOT

| Boot Part Number | Temperature Rating |
|------------------|--------------------|
| 178A3744P21 | 105 °C |

PROTECTIVE CAP

| | |
|------------------|-------------|
| Cap Part Number: | 115A1552P23 |
|------------------|-------------|



| AVAILABLE RBC COMPONENT CAPACITOR PUBLICATIONS | | |
|---|---|----------|
| Publication | Description | Replaces |
| CPD-510 | AC Motor Run Capacitors | CPD-501 |
| CPD-511 | AC HID Lighting Capacitors | CPD-501 |
| CPD-512 | AC General Purpose Capacitors | CPD-501 |
| CPD-517 | Power Electrolytic Capacitors (General) | New Pub. |

Please contact your RBC Sales Representative for further information
call or write directly to,

GE Capacitors by Regal Beloit
11970 PELLICANO DR. , SUITE 300
EL PASO , TEXAS 79936
USA

Telephone: (915) 849-5757, (915) 849-5758
Fax: (915) 849-5799



GE Capacitors

By REGAL-BELOIT